



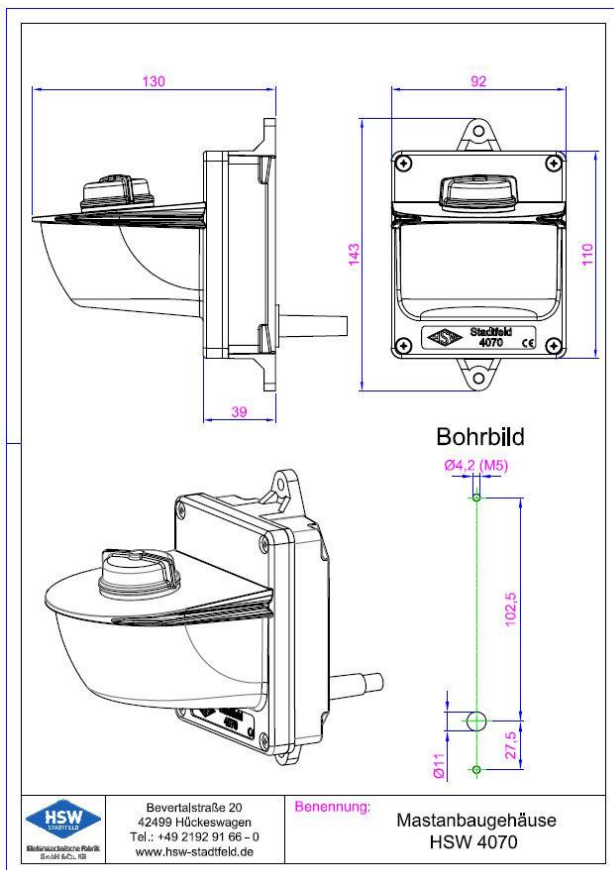
Elektrotechnische Fabrik  
GmbH & Co. KG

## Pole-mounted housing HSW 4070

Our pole-mounted housing HSW 4070 with a Zhaga socket is a smart solution for retrofitting modern LED pole lights with a Zhaga socket to integrate them into a streetlight management system. All standard Zhaga modules fit our pole-mounted housing.

### Technical data

Rated voltage	230 V
Supply Node	24 V DC 6 W
Supply DALI-Bus	up to 60 mA
<b>max. DALI-Bus current</b>	<b>250 mA</b>
<b>max. number of Zhaga Nodes per DALI-Line</b>	<b>3</b>
<b>External voltage tolerance DALI connection</b>	<b>max. 60 V</b>
Degree of protection	IP65
Abmessungen (L x B x H)	143 x 92 x 130 mm



### Delivery content

2 drilling screws 4,8 x 22 mm

Connection cable

### Equipment variants

Connection cable H05VV-F 5 x 0,75 mm<sup>2</sup> in lengths of 4,500 mm, 6,000 mm or 8,000 mm

(other lengths available on request)

HSW 3130 LoRa-Zhaga module



Bevertalstraße 20  
42499 Hückeswagen  
Tel.: +49 2192 91 66 - 0  
www.hsw-stadtfeld.de

Benennung:

Mastanbaugehäuse  
HSW 4070