



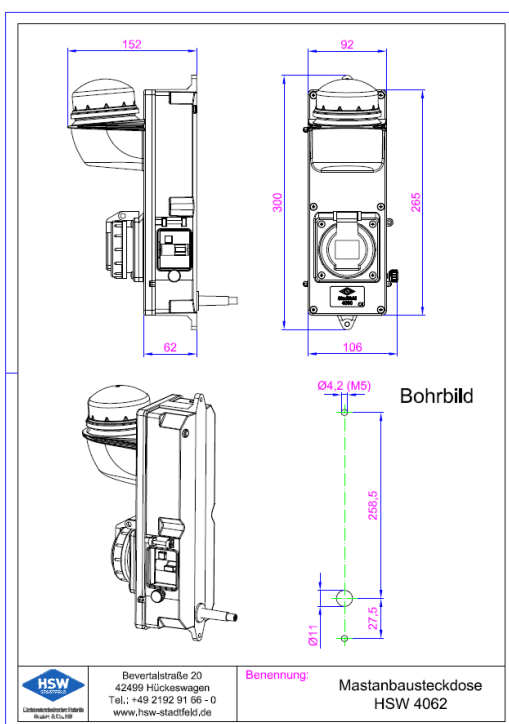
Elektrotechnische Fabrik
GmbH & Co. KG

Pole mount socket HSW 4060 Zhaga

Our switchable pole-mounted socket HSW 4060 with Zhaga base is suitable for universal use in connection with street lighting management systems. The Zhaga base ensures compatibility with all standard Zhaga modules.

Technische Daten

Socket versions	Safety socket outlet IP54 / IP68 CEE socket IP44 / IP67 Swiss standard type 13 (10 A) IP55 Swiss standard type 23 (16 A) IP55 French / Belgian standard IP54 Flange socket IP66
Measurements (L x W x H)	300 x 106 x 152 mm
Degree of protection	IP65
Rated voltage	230 V
Rated current	16 A



Delivery content

2 drilling screws 4,8 x 22 mm

Connection cable

Equipment variants

Residual current circuit breaker (RCCB)

Residual current circuit breaker with overcurrent protection (RCBO)

Connection cable H05VV-F 3 x 1,0 mm² in 4.500 mm, 6.000 mm or 8.000 mm lengths

(other lengths available on request)

HSW 3130 LoRa-Zhaga-module

Print errors and technical changes excepted (Status: September 2024)