

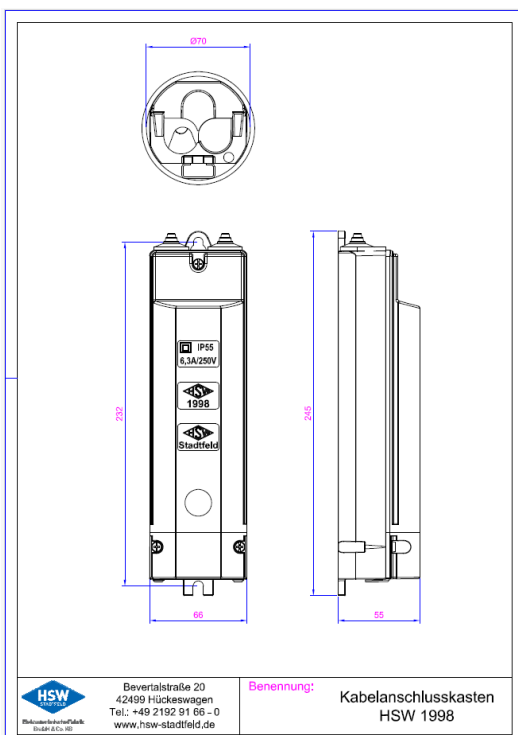


Elektrotechnische Fabrik
GmbH & Co. KG

Cable fuse box HSW 1998

Technische Daten

Nominal voltage / -current	250 V / 6,3 A
Degree of protection	IP55
Protection class	II
Fuses	G-fuse insert up to 6,3 A
Measurements (L x W x H)	245 x 66 x 55 mm
Pole internal diameter	from 70 mm
Door size	from 70 x 250 mm
Entry field for wire connection	70 mm
Input connectors	2 cable 5 x 2,5 mm ² up to 5 x 6 mm ²
Output connectors	2 Kabel 5 x 0,75 mm ² up to 5 x 1,5 mm ²
Applied standards	DIN VDE 0660 Teil 505; DIN 43628 DIN VDE 0613 Teil 2-1



Delivery content

Sliding gaskets

Fuse insert


Surge protection Typ 2 + 3

- Citel MLPCH1-230L-V/DL
- combined for supply voltage and data lines
- max. load current 2,5 A

Accessory

Screws for light pole connection M6 x 12 mm

Housing cover in clear or black


 Bevertalstraße 20
 42499 Hückeswagen
 Tel.: +49 2192 91 66 - 0
 www.hsw-stadtfeld.de

Benennung: Kabelanschlusskasten
 HSW 1998

Print errors and technical changes excepted (Status: July 2024)