

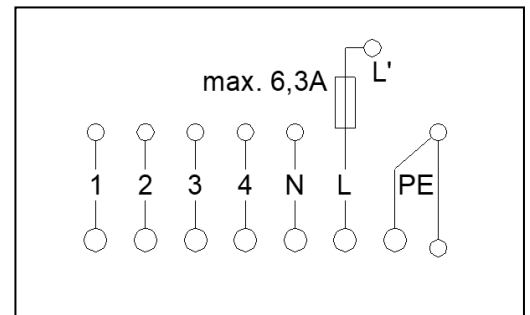
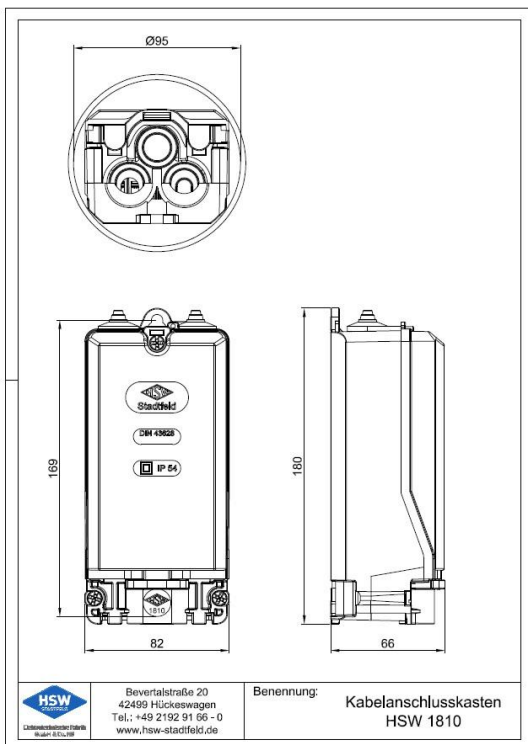


Elektrotechnische Fabrik
GmbH & Co. KG

Cable fuse box HSW 1810 7-pole version

Technische Daten

Nominal voltage / -current	250 V / 6,3 A
Degree of protection	IP54
Protection class	II
Fuse	G-fuse insert up to 6,3 A
Measurements (L x W x H)	180 x 82 x 66 mm
Pole internal diameter	ab 95 mm
Door size	ab 85 x 200 mm
Input connectors	2 Kabel up to 6 mm ²
Output connectors	up to 2,5 mm ²
Applied standards	DIN VDE 0660 Teil 505; DIN 43628



Delivery content

- Sliding gaskets
- Housing cover in black
- Fuse insert

Accessory

- Screws for light pole connection M6 x 12 mm
- Different earth conductor



Bevertalstraße 20
42499 Hückeswagen
Tel.: +49 2192 91 66-0
www.hsw-stadtfeld.de

Benennung: Kabelanschlusskasten
HSW 1810

Print errors and technical changes excepted (Status: July 2024)